

SPECIFICATION FOR APPROVAL

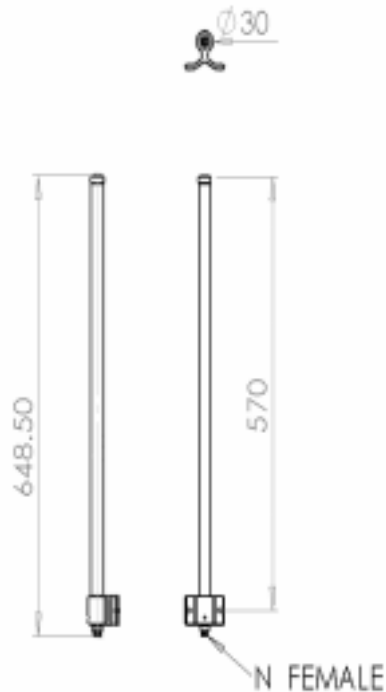
Customer :

Model No.: OM-J08-05H

Description : 860~960MHz OMNI ANTENNA

Date : 2007/01/03

Rev : 1



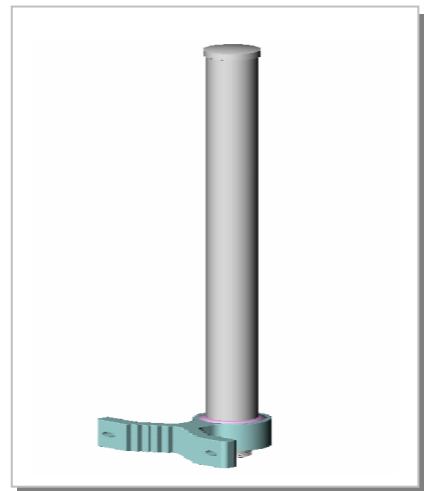
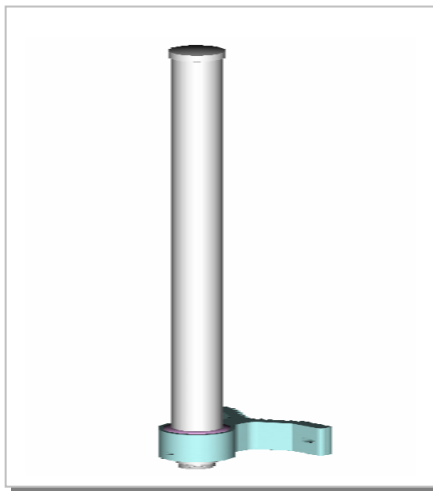
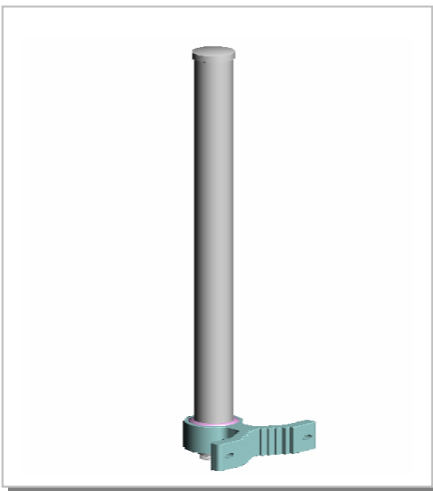
Electrical Specifications:

Frequency Range :	860~960MHz
VSWR :	≤ 2.0
Impedance :	50Ω ± 5Ω
Forward Gain :	5dBi
Polarization :	Vertical
Power Handling :	10 Watt
BEAM WIDTH :	H: 360° / E: 19.5°

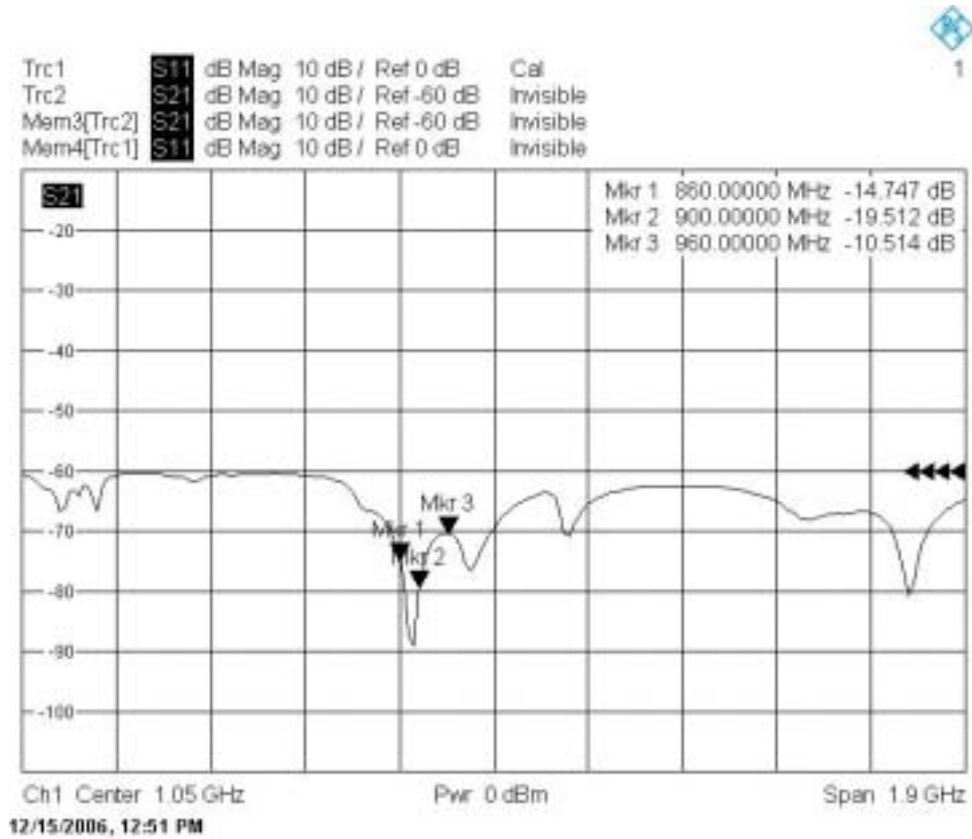
Mechanical Specifications:

Connector :	N Female
Operation Temp :	-30 ~+60
Material :	Radome: Fiberglass Base: Aluminum Alloy Mount: Aluminum
Dimension (L*W*H) :	Ø30*570 mm
Weight :	304g ± 20g

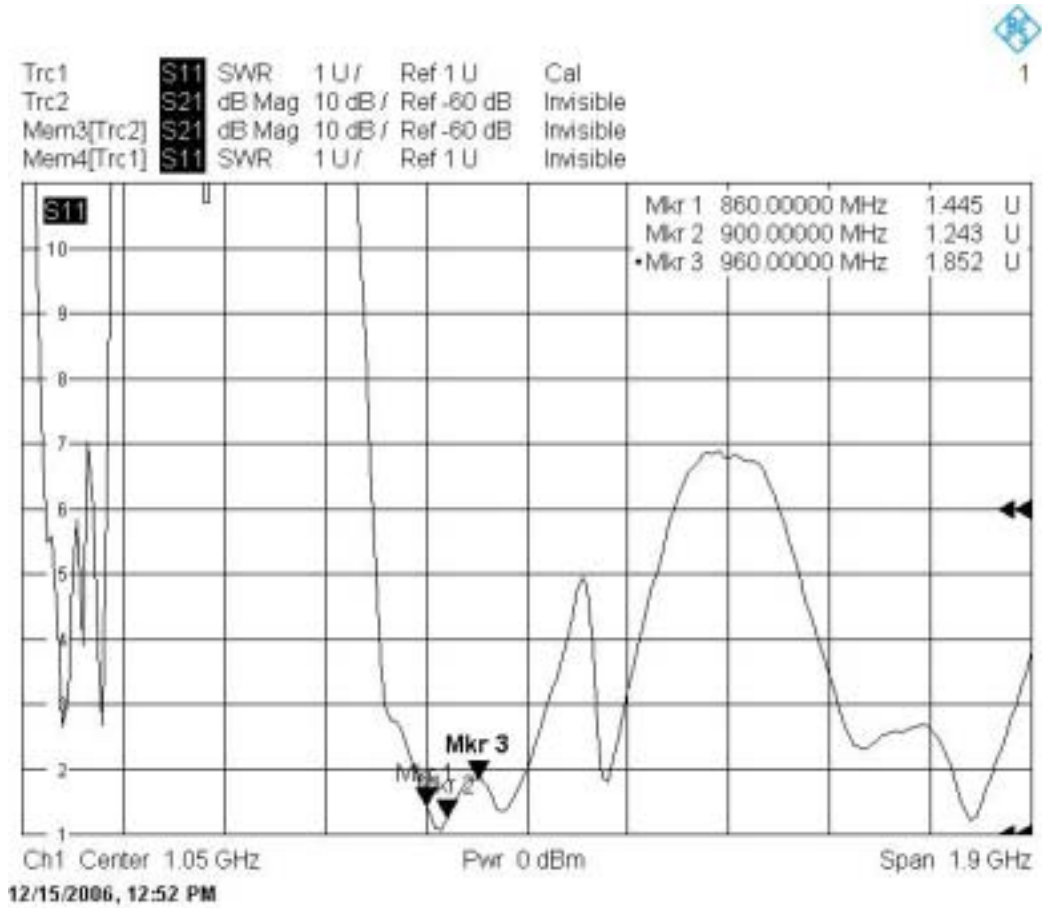
3D Illustration



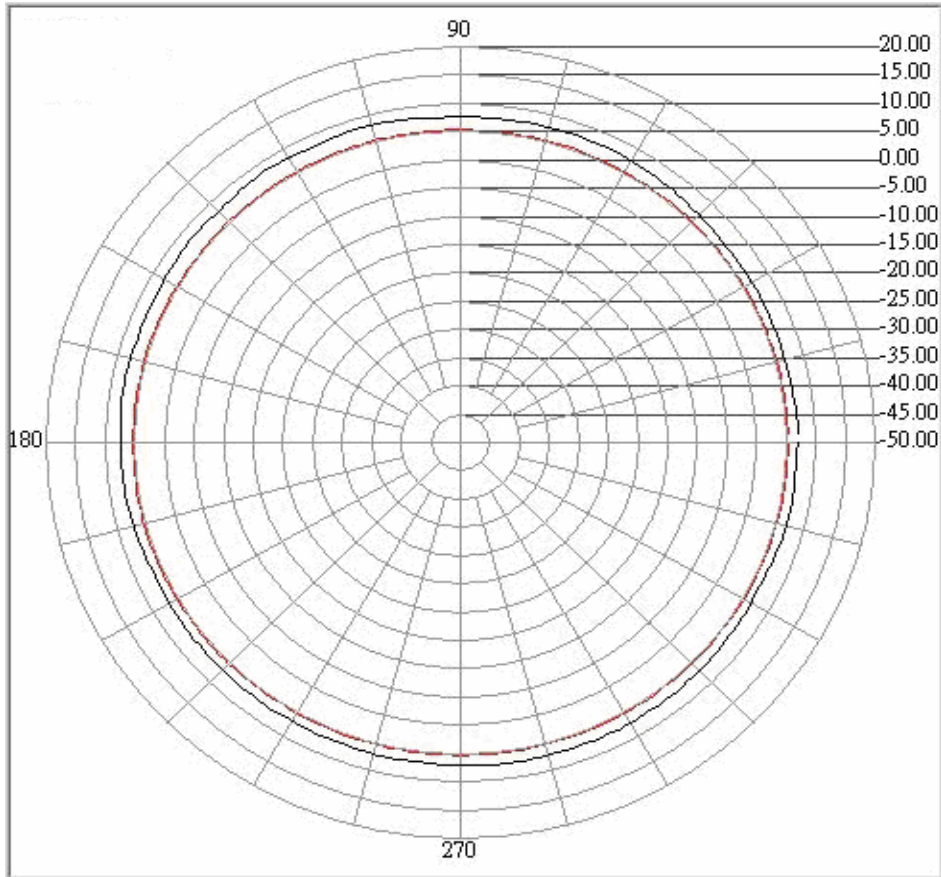
RETURN LOSS



SWR



H-PLANE



E-PLANE

